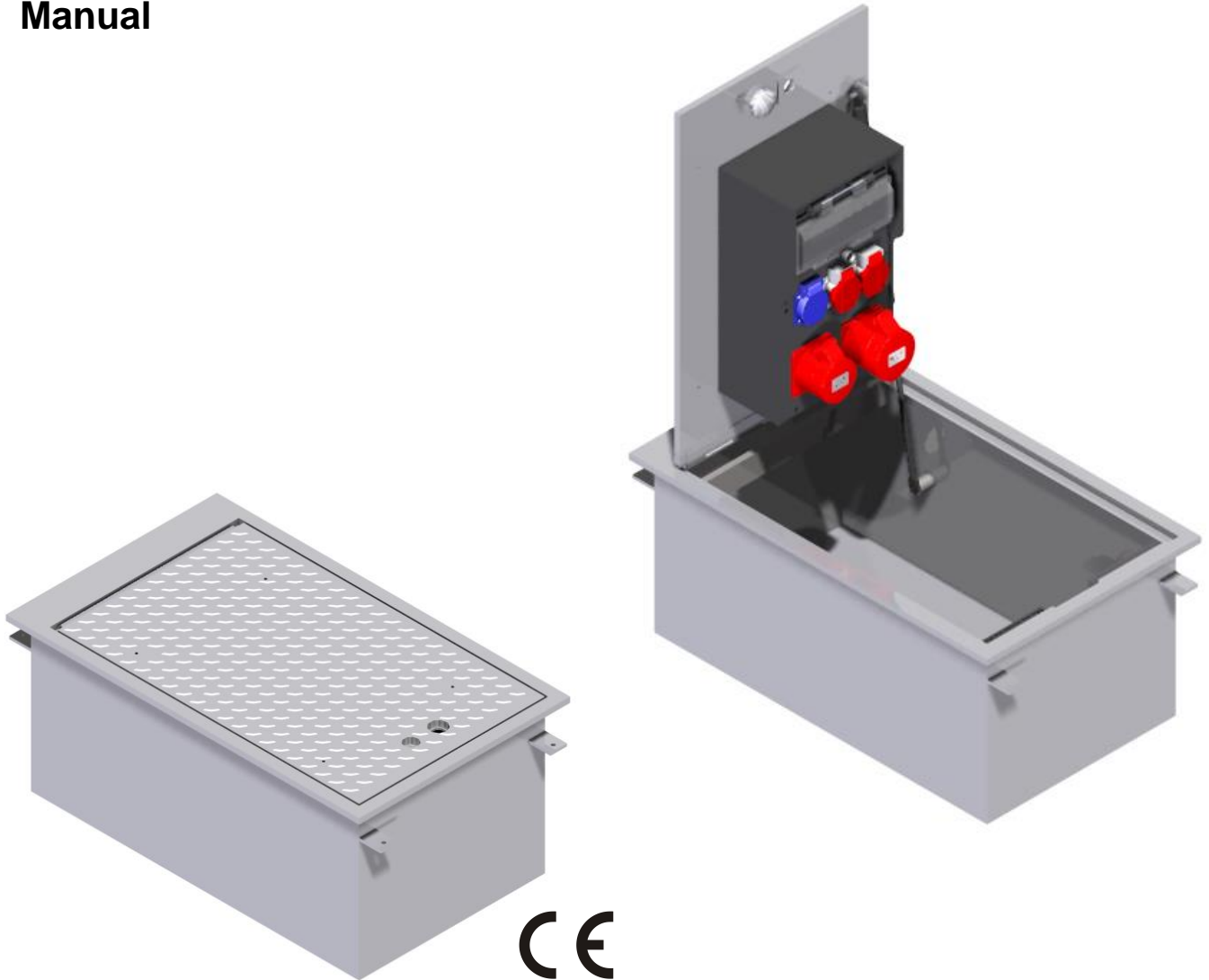


Campetto 1 Underfloor distributor system

Manual



VERSION	MODIFICATIONS
1.0	First edition
1.1	Editorial changes

Table of contents

1	General information.....	3
1.1	Marking concept for hazards and hints	3
1.2	Responsibilities of the operator.....	3
2	Applications.....	5
2.1	Product features	5
2.1.1	Basic features and benefits of Campetto 1:.....	5
2.2	Scope of delivery	5
2.3	Technical information	5
2.4	Standard program stainless steel V2A.....	6
3	Introduction	7
3.1	Installation conditions Campetto 1 Underfloor distributor system	7
3.1.1	Work to be done on site by customer	7
3.2	Connecting underfloor distributor to power supply	8
3.2.1	Principle drawing.....	8
3.3	Sizes / dimensions of Campetto 1	9
3.3.1	Overview dimensions / sizes Campetto 1 (standard program).....	11
3.3.2	Overview dimensions of trench/ excavation holes (standard program).....	11
4	Maintenance.....	12
4.1	Inspection and maintenance schedule.....	12
4.2	Description of maintenance and inspection works	12
5	Debugging.....	13
5.1	Measures for elimination of errors	13
5.2	Storage.....	13
5.3	Disposal of the device	13
6	Service	14
6.1	Service addresses	14
6.2	Imprint	14

1 General information

1.1 Marking concept for hazards and hints

 **Hazard**

Hazardous situation which will cause serious injury or even death if it is not prevented.

 **Caution**

Hazardous situation which could cause slight to moderate injury if it is not prevented.

 **Hint**

Indicates information which does not concern personal injury, e.g. hints in respect of material damage.

 **Protective measures**

Increase safety by applying a protective measure.



The CE label indicates that your device meets the safety requirements of EU Directive 2006/95 /EEC.

1.2 Responsibilities of the operator

- Make sure that this document is always kept in a safe place in a legible form together with the product.
- Read these instructions carefully before first start-up of the product.
- This product has been developed and produced exclusively for the use indicated in these documents. Every other use, which is not mentioned explicitly, could affect the intactness of the product and/or could constitute a source of danger.
- The manufacturer rejects any liability for damage which has been caused by incorrect or non-intended use of the product.
- In countries, which do not belong to the European Community, the national legal reference regulations as well as the standards and regulations applicable in these countries have to be observed for warranty of a corresponding safety level.
- The installation has to be carried out according to the applicable regulations.
- The manufacturer assumes no liability for inexpert execution of installation as well as deformations which may occur during operation.
- The electric power supply has to be switched off before executing any action on the installation.
- Exclusively original parts of the manufacturer shall be used for maintenance. Maintenance work may be carried out by qualified staff only.
- All procedures which are not explicitly mentioned by the manufacturer in the instructions are not permitted.
- The packing material must not be stored within the reach of children as it could be a potential source of danger.
- The product must not be installed in hazardous environments. Flammable gases or fumes represent a serious security risk
- Energy supply of the underfloor distributor has to be protected in accordance with applicable regulations and manufacturer's details.
- It must be checked whether the earthing system has been installed properly. The metal parts of the underfloor distributor must be connected to this system.
- If a heating is installed by customer, it is important that the system will be protected by RCD 30mA.

Created	Modified	Object-ID
01.12.2013 ROEN	01.12.2013 ROEN	359668

- The manufacturer disclaims any liability with regards to safety and efficient operation of the underfloor distributor if components are used in the underfloor distribution system which were not approved by the manufacturer.
- On no part of the underfloor distributor changes should be made, under no circumstances.
- The installer has to provide the user with all information relating to the operation of the system.
- Make sure that underfloor distribution systems which can only be operated when they are in open mode, do not provoke any security risk during the operation (risk of unwanted closure of lid, manipulation, e.g.).
- Gas springs are wear parts and must be replaced immediately in case of pressure loss in order to ensure a safe and gradual closing of the cover (accident risk).

Any optional heating system (heating cover, etc.) may be installed only by authorized personnel.

Locking system, lid hinge bar and gas springs should be checked at appropriate intervals for cleaning and greasing.

The contact surface of the lid needs also to be cleaned from dirt in appropriate intervals to ensure a safe closing.

Bolts which are loose (by transport or installation e.g.) should be tightened.

2 Applications

GIFAS underfloor distributor systems are suitable for:

- Community and market places,
- warehouses, exhibition halls and trade fairs
- Hangars,
- Sport and leisure centres, parks,
- Pedestrian walkways and parking lots
- Shopping centres,
- Plants,
- etc.

... Electricity everywhere, where it is needed quickly, comfortably and regularly!

2.1 Product features

2.1.1 Basic features and benefits of Campetto 1:

- stainless steel box with drainage hole
- chequered, stainless steel lid, with square lock
- to be operated with open lid
- low mounting depth
- robust, easy to use and reliable
- protection against vandalism thanks to lockable lid
- high-end solid rubber power distributor for tough conditions
- high-end solid rubber junction box for connection to main supply
- compressed air, video/audio, data or water available on request
- easy and quick opening and closing thanks to gas springs
- load capacity 3 tons (depending on model)
- almost maintenance free and therefore very low operating costs

Dimension, depth, lid strength and electrical installation equipment depend on customer's requests.

2.2 Scope of delivery

Campetto 1 including the electrical distribution and junction box are delivered ready-to-install. Cabling, filling with concrete, drainage e.g. has to be provided by customer.

For questions or queries, please contact our sales staff.

2.3 Technical information

- Model Campetto 1 is available in different dimensions/sizes (max. distributor type 7800)
- Suitable for electricity, water and compressed air
- GIFAS hard rubber distributor, which is mounted on the lid, can be equipped individually.
- The dimension of the junction box is depending on electrical needs and is installed in the casing.
- The lid is available in different classes of load capacity (standard B125, special executions up to class C250 possible)
- Standard execution in stainless steel V2A/1.4301 (on demand hot-dip galvanised)
- Easy, quick opening and closing, supported by gas springs; these gas springs reinforce your muscle craft, and are for a controlled opening and closing of the GIFAS underfloor distribution systems.
- The lid can be equipped optionally with a heating system (equipping by customer himself or by GIFAS).

Created	Modified	Object-ID
01.12.2013	01.12.2013	359668
ROEN	ROEN	

2.4 Standard program stainless steel V2A

Campetto 1*:					
Item no.	Assembly	Length	Width	Depth	Juction box
015515	Distributor type 7200	500mm	240mm	250mm	type 1812
015516	Distributor type 7300	580mm	280mm	250mm	type 1812
015517	Distributor type 7400	600mm	340mm	280mm	type 2516
015518	Distributor type 7700	620mm	410mm	350mm	type 2516
015519	Distributor type 7800	750mm	440mm	350mm	type 3020

* Excavation dimensions see also chapter 3.2.4

3 Introduction

To ensure proper installation, the following steps and notes must be complied with under all circumstances. Only this way can it be ensured that the product will work to complete satisfaction.

Hint

Read all instructions before starting installation. Our sales department will be happy to answer any questions you may have.

3.1 Installation conditions Campetto 1 Underfloor distributor system

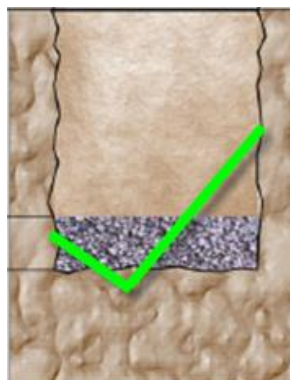
3.1.1 Work to be done on site by customer

The underfloor distributor is not surface water proof, a suitable drainage has to be provided by customer (if wet condition and if outdoor use). Make sure you have a corresponding drain line or drainage (gravel e.g.).

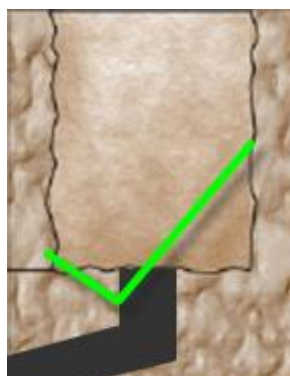
without Drainage/drain line



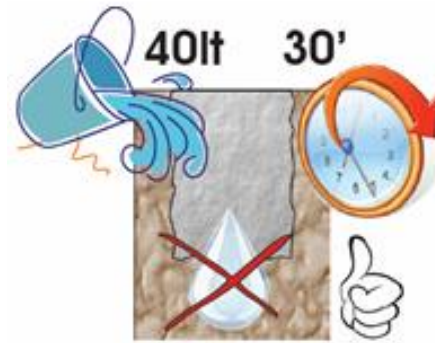
with gravel (drainage) (loose ground e.g.)



with drain line/pipe (solid ground e.g.)



Check drainage capacity!



The excavation work and the professional installation of construction must be made on site (according to instructions GIFAS).

It is important to ensure that the foundation of the floor pit will be made according to the maximum load capacity in order to avoid settlement.

⚠ Caution

If the underfloor distributor is not installed immediately after excavation works, the hole must be closed adequately to avoid any risk of injury!

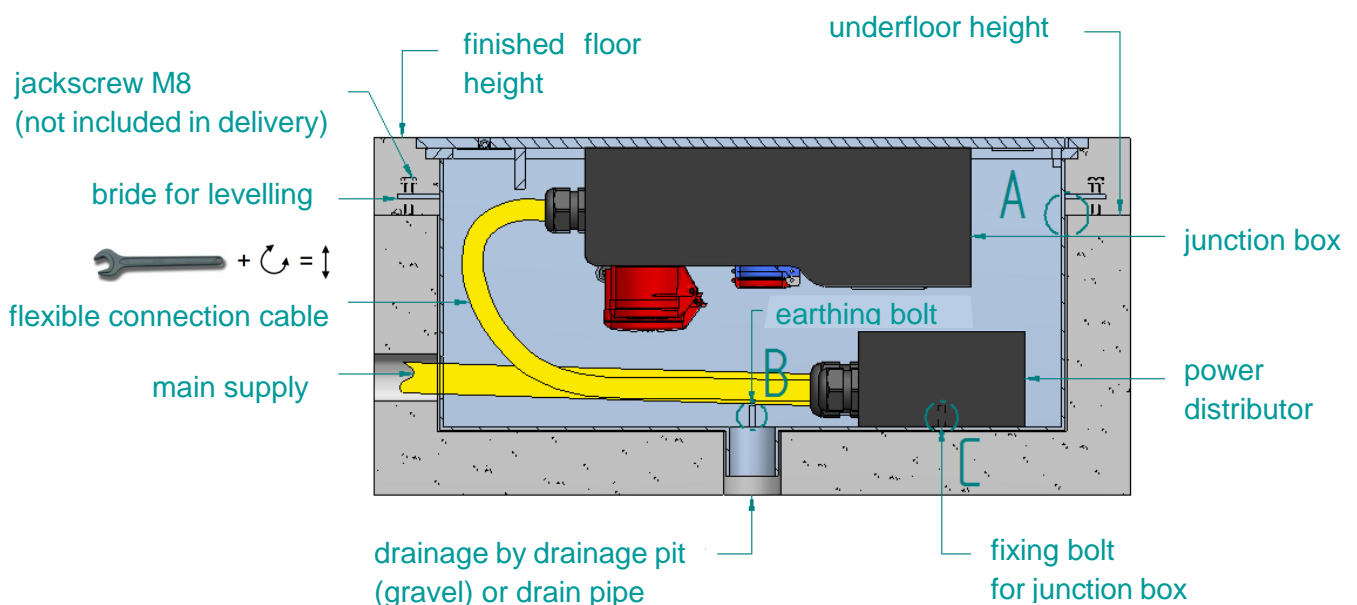
3.2 Connecting underfloor distributor to power supply

⚠ Caution

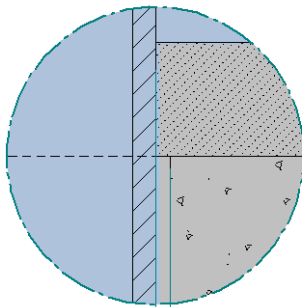
The connection to the main supply must be carried out only by professionally trained staff at operator's responsibility.

3.2.1 Principle drawing

In case of solid ground, a cave/ hole is dug out and lined out by means of casing or by a Styrofoam block. Any therefore needed detail has to be taken from the GIFAS drawings of the specific project.

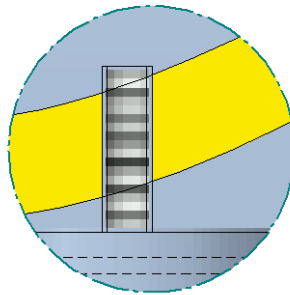


By use of the levelling screws/ jackscrews, the underfloor distributor can be placed on the lower ground and adjusted to the final floor level before the cover layer is applied. Make sure that the underfloor distributor is not in a hollow to prevent from ingression of water.



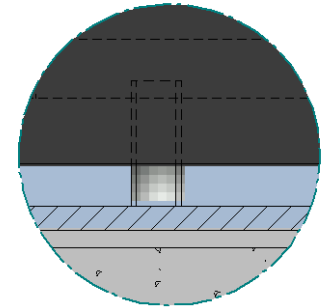
2
installation pit, all over 2 mm wider than dimension of underfloor distributor

detail A



earth bolt M6

detail B



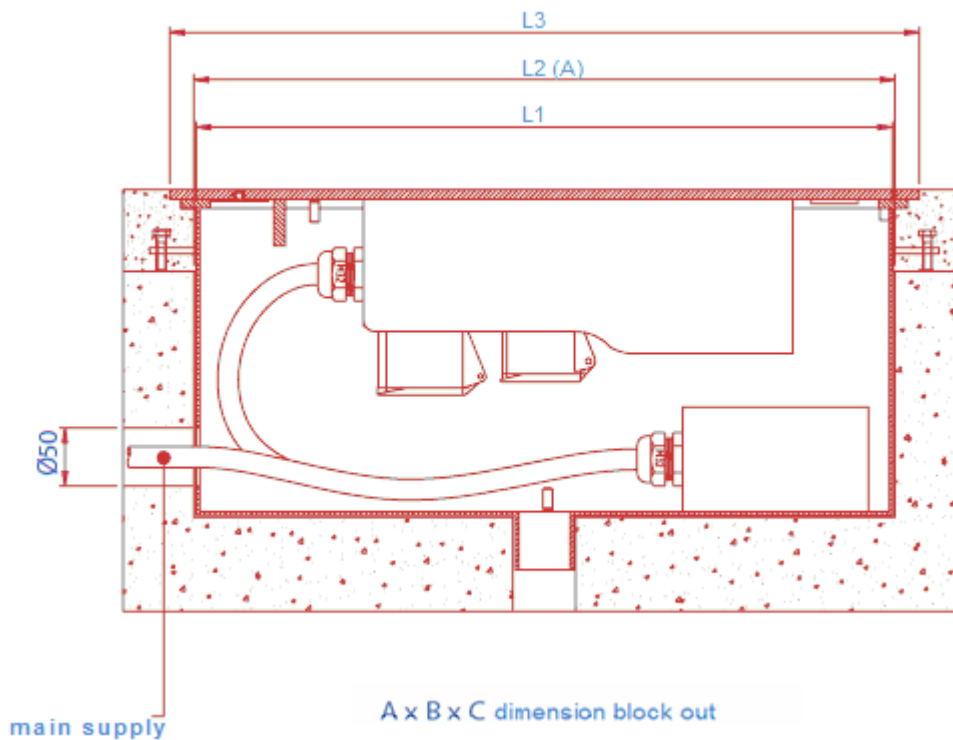
fixing bolt M6 for junction box

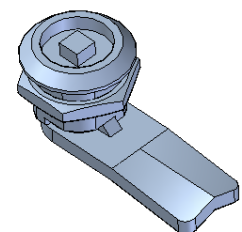
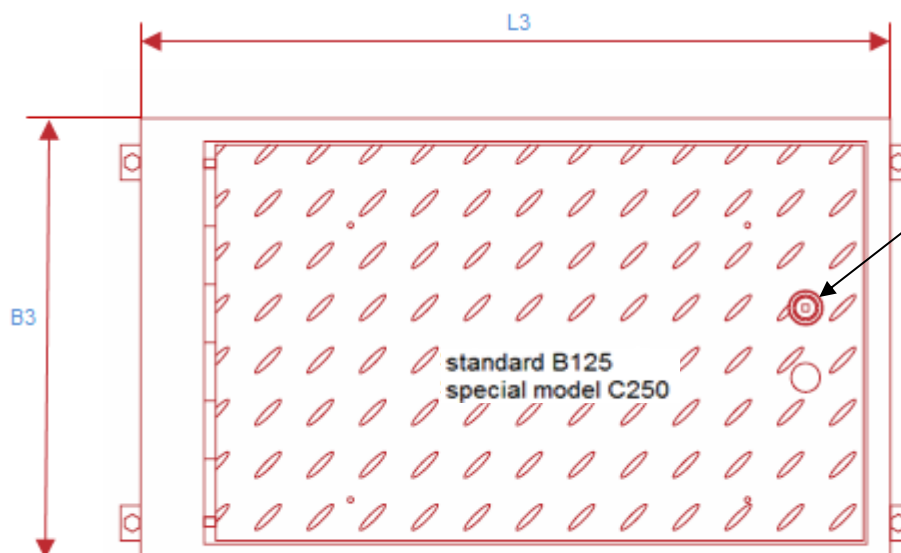
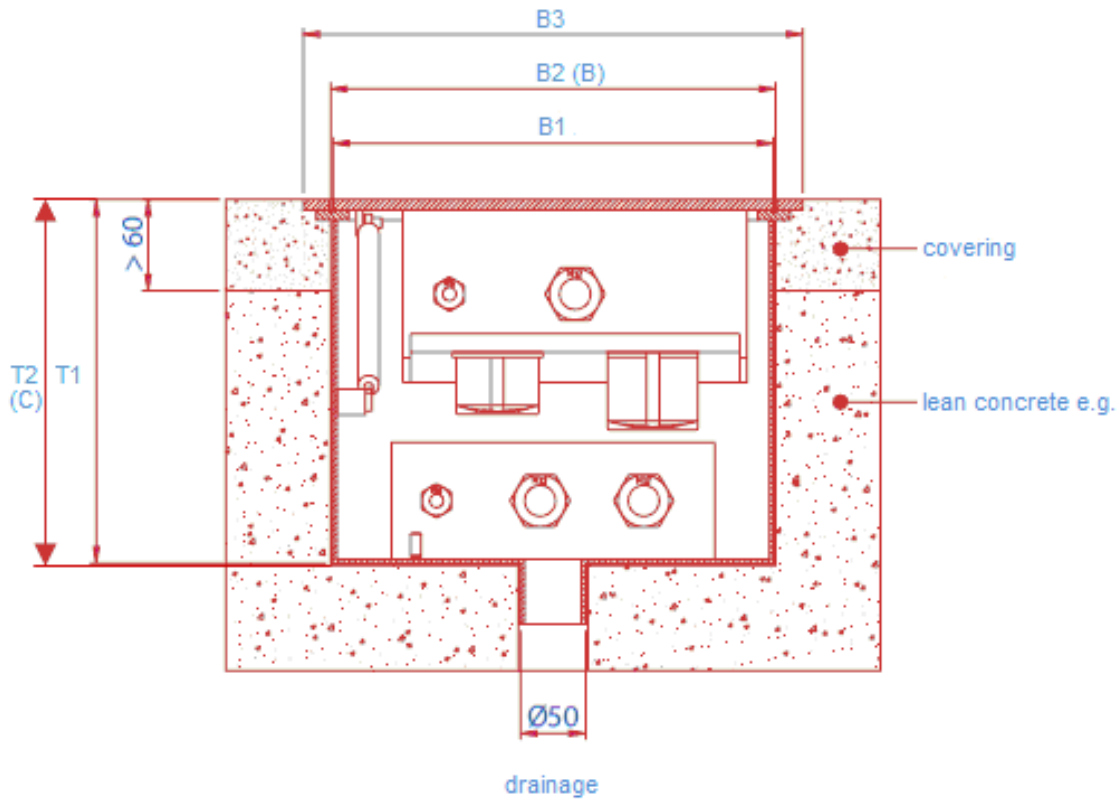
detail C

3.3 Sizes / dimensions of Campetto 1

- The dimension of the underfloor distributor system is identified with L1, B1 and T1.
- The dimension of the excavation hole is identified with L2, B2 and T2.
- The dimension of the surface is identified with L3 and B3.

For other dimensions please ask for the detailed dimensional drawings of GIFAS.





standard locking device

3.3.1 Overview dimensions / sizes Campetto 1 (standard program)

Item no. GIFAS	Assembly (distributor type)	Length L1	Width B1	Depth T1	Junction box	Size L3	Size B3
015515	type 7200	500	240	250	type 1812	546	286
015516	type 7300	580	280	250	type 1812	626	326
015517	type 7400	600	340	280	type 2516	646	386
015518	type 7700	620	410	350	type 2516	666	456
015519	type 7800	750	440	350	type 3020	796	486

All dimensions in mm

3.3.2 Overview dimensions of trench/ excavation holes (standard program)

N° art. GIFAS	Minimum size of trench (provided by customer) L2 x B2 x T2
015515	504 x 244 x 252
015516	584 x 284 x 252
015517	604 x 344 x 282
015518	624 x 414 x 352
015519	754 x 444 x 352

All dimensions in mm

4 Maintenance

4.1 Inspection and maintenance schedule

Work to be done:	Period
Inspection of gas springs	1x per year
Inspection of lid hinge bar	1x per year
Inspection of lock system	1x per year
Cleaning of lid cover surface	1x per month
Cleaning of drainage	on demand
Checking electrical distributions/ install.	according to local regulations

4.2 Description of maintenance and inspection works

Lock system, lid hinge bar and gas springs need to be checked, cleaned and where necessary to be greased in appropriated intervals.

The lid surface needs to be cleaned from dirt in appropriate intervals, to ensure a safe and proper closing.

The underfloor distributor needs to be maintained and revised by professionally trained personnel, according to national regulations and standards.

5 Debugging

5.1 Measures for elimination of errors

Bug / error	Possible cause(s)	Solution
Lid can hardly be opened	Failure of gas spring	Replace gas spring
Lid is closing too fast	Failure of gas spring	Replace gas spring
Lid is not closing	Lid surface is dirty	Clean lid surface
Lid is not closing	Failure of lock-system	Replace lock-system/ clean lock-system
Lid is bouncing	Failure of lid hinge bar	Replace lid hinge bar
Earth leakage circuit breaker is triggering	Electrical default	Repair/ revision by professionally trained personnel

5.2 Storage

No additional measures are required for storage. With regard to packaging, pay attention to protection against damage.

5.3 Disposal of the device



This product must not be thrown in the garbage.

In accordance with official local and national regulations, this product is to be recycled appropriately.

European directive 2012/19/EU; waste electrical and electronic equipment (WEEE).

6 Service

6.1 Service addresses

GIFAS ELECTRIC GmbH Borsigstrasse 9 D-41469 Neuss	GIFAS-ELECTRIC S.r.l Via dei Filaracci 45 Piano del Quercione I-55054 Massarosa (LU)	GIFAS ELECTRIC GmbH Pebering-Straß 2 A-5301 Eugendorf	GIFAS-ELECTRIC GmbH Dietrichstrasse 2 Postfach 275 CH-9424 Rheineck
☎ +49 2137 105-0 📠 +49 2137 105-230 🌐 www.gifas.de ✉ verkauf@gifas.de	☎ +39 58 497 82 11 📠 +39 58 493 99 24 🌐 www.gifas.it ✉ info@gifas.it	☎ +43 6225 7191-0 📠 +43 6225 7191-561 🌐 www.gifas.at ✉ verkauf@gifas.at	☎ +41 71 886 44 44 📠 +41 71 886 44 49 🌐 www.gifas.ch ✉ info@gifas.ch

6.2 Imprint

GIFAS-ELECTRIC GmbH
CH-9424 Rheineck
www.gifas.ch

Technical changes and errors reserved.

These installation instructions are the property of GIFAS-ELECTRIC GmbH and may not be copied, translated, transferred, duplicated or passed on to third parties without the previous written consent of GIFAS-ELECTRIC.