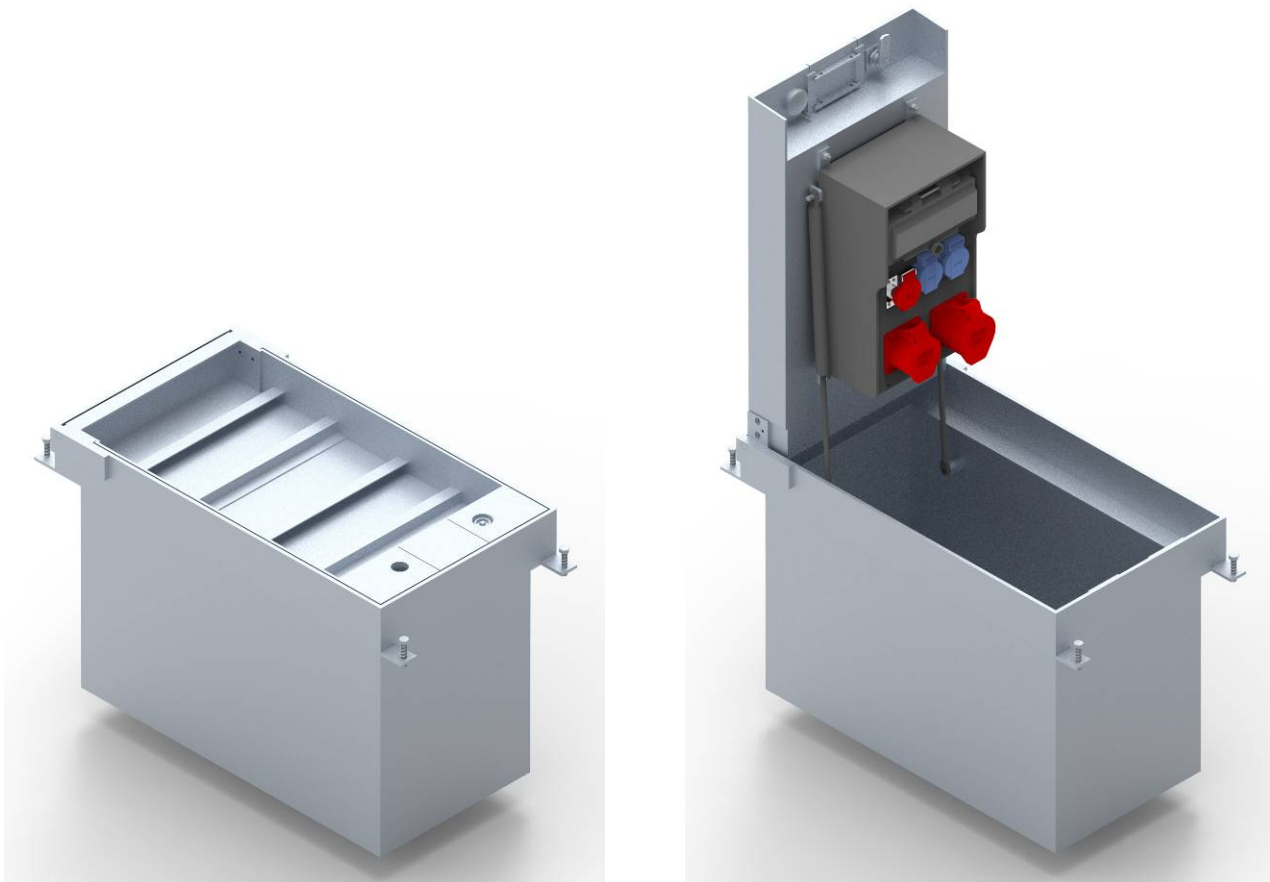


## Campetto 4 Underfloor distributor system

### Manual



VERSION	MODIFICATIONS
1.0	First edition
1.1	Editorial changes
1.2	Various additions of hints
1.3	Primer coat recommended before filling (Chap. 3.3)

## Table of contents

<b>1</b>	<b>General information.....</b>	<b>3</b>
1.1	Marking concept for hazards and hints .....	3
1.2	Responsibilities of the operator.....	3
<b>2</b>	<b>Applications.....</b>	<b>5</b>
2.1	Product features .....	5
2.1.1	Basic features and benefits of Campetto 4:.....	5
2.2	Scope of delivery .....	5
2.3	Technical information .....	5
<b>3</b>	<b>Introduction .....</b>	<b>6</b>
3.1	Installation conditions Campetto 4 Underfloor distributor system .....	6
3.1.1	Work to be done on site by customer .....	6
3.2	Connecting underfloor distributor to power supply .....	8
3.2.1	Principle drawing.....	8
3.3	Installation.....	10
<b>4</b>	<b>Maintenance.....</b>	<b>11</b>
4.1	Inspection and maintenance schedule.....	11
4.2	Description of maintenance and inspection works .....	11
<b>5</b>	<b>Debugging.....</b>	<b>12</b>
5.1	Measures for elimination of errors .....	12
5.2	Storage.....	12
5.3	Disposal of the device .....	12
<b>6</b>	<b>Service .....</b>	<b>13</b>
6.1	Service addresses .....	13
6.2	Imprint .....	13

## 1 General information

### 1.1 Marking concept for hazards and hints

#### **Hazard**

Hazardous situation which will cause serious injury or even death if it is not prevented.

#### **Caution**

Hazardous situation which could cause slight to moderate injury if it is not prevented.

#### **Hint**

Indicates information which does not concern personal injury, e.g. hints in respect of material damage.

#### **Protective measures**

Increase safety by applying a protective measure.



The CE label confirms that your device satisfies the safety requirements set down in EU Directives 2006/95/EC and 2004/108/EC.

### 1.2 Responsibilities of the operator

- Make sure that this document is always kept in a safe place in a legible form together with the product.
- Read these instructions carefully before first start-up of the product.
- This product has been developed and produced exclusively for the use indicated in these documents. Every other use, which is not mentioned explicitly, could affect the intactness of the product and/or could constitute a source of danger.
- The manufacturer rejects any liability for damage which has been caused by incorrect or non-intended use of the product.
- In countries, which do not belong to the European Community, the national legal reference regulations as well as the standards and regulations applicable in these countries have to be observed for warranty of a corresponding safety level.
- The installation has to be carried out according to the applicable regulations.
- The manufacturer assumes no liability for inexpert execution of installation as well as deformations which may occur during operation.
- The electric power supply has to be switched off before executing any action on the installation.
- Exclusively original parts of the manufacturer shall be used for maintenance. Maintenance work may be carried out by qualified staff only.
- All procedures which are not explicitly mentioned by the manufacturer in the instructions are not permitted.
- The packing material must not be stored within the reach of children as it could be a potential source of danger.
- The product must not be installed in hazardous environments. Flammable gases or fumes represent a serious security risk
- Energy supply of the underfloor distributor has to be protected in accordance with applicable regulations and manufacturer's details.
- It must be checked whether the earthing system has been installed properly. The metal parts of the underfloor distributor must be connected to this system.

Created	Modified	Object-ID
01.04.2014 ROEN	14.09.2020 ROEN	359725

- If a heating is installed by customer, it is important that the system will be protected by RCD 30mA.
- The manufacturer disclaims any liability with regards to safety and efficient operation of the underfloor distributor if components are used in the underfloor distribution system which were not approved by the manufacturer.
- On no part of the underfloor distributor changes should be made, under no circumstances.
- The installer has to provide the user with all information relating to the operation of the system.
- Make sure that underfloor distribution systems which can only be operated when they are in open mode, do not provoke any security risk during the operation (risk of unwanted closure of lid, manipulation, e.g.).
- Gas springs are wear parts and must be replaced immediately in case of pressure loss in order to ensure a safe and gradual closing of the cover (accident risk).

Any optional heating system (heating cover, etc.) may be installed only by authorized personnel.

Locking system, lid hinge bar and gas springs should be checked at appropriate intervals for cleaning and greasing.

The contact surface of the lid needs also to be cleaned from dirt in appropriate intervals to ensure a safe closing.

Bolts which are loose (by transport or installation e.g.) should be tightened.

The operator is responsible for draining any water arising inside the Campettos. (see also Chapter 3.1.1) The operator must guarantee and provide a proper drainage on-site.

---

<b>Created</b>	<b>Modified</b>	<b>Object-ID</b>
01.04.2014 ROEN	14.09.2020 ROEN	359725

## 2 Applications

GIFAS underfloor distributor systems are suitable for:

- Community and market places,
- warehouses, exhibition halls and trade fairs
- Hangars,
- Sport and leisure centres, parks,
- Pedestrian walkways and parking lots
- Shopping centres,
- Plants,
- etc.

... Electricity everywhere, where it is needed quickly, comfortably and regularly!

### 2.1 Product features

#### 2.1.1 Basic features and benefits of Campetto 4:

- stainless steel box with drainage hole
- chequered, stainless steel lid, with square lock
- to be operated with open lid
- low mounting depth
- robust, easy to use and reliable
- protection against vandalism thanks to lockable lid
- high-end solid rubber power distributor for tough conditions
- high-end solid rubber junction box for connection to main supply
- compressed air, video/audio, data or water available on request
- easy and quick opening and closing thanks to gas springs
- load capacity 3 tons (depending on model)
- almost maintenance free and therefore very low operating costs

Dimension, depth, lid strength and electrical installation equipment depend on customer's requests.

### 2.2 Scope of delivery

Campetto 4 including the electrical distribution and junction box are delivered ready-to-install. Cabling, filling with concrete, drainage e.g. has to be provided by customer.

For questions or queries, please contact our sales staff.

### 2.3 Technical information

- Model Campetto 4 is available in different dimensions/sizes (max. distributor type 7800)
- Suitable for electricity, water and compressed air
- GIFAS hard rubber distributor, which is mounted on the lid, can be equipped individually.
- The dimension of the junction box is depending on electrical needs and is installed in the casing.
- The lid is available in different classes of load capacity (standard B125, special executions up to class C250 possible)
- Standard execution in stainless steel V2A/1.4301 (on demand hot-dip galvanised)
- Easy, quick opening and closing, supported by gas springs; these gas springs reinforce your muscle craft, and are for a controlled opening and closing of the GIFAS underfloor distribution systems.
- The lid can be equipped optionally with a heating system (equipping by customer himself or by GIFAS).

---

<b>Created</b>	<b>Modified</b>	<b>Object-ID</b>
01.04.2014	14.09.2020	359725
ROEN	ROEN	

### 3 Introduction

To ensure proper installation, the following steps and notes must be complied with under all circumstances. Only this way can it be ensured that the product will work to complete satisfaction.

**i Hint**

Read all instructions before starting installation. Our sales department will be happy to answer any questions you may have.

#### 3.1 Installation conditions Campetto 4 Underfloor distributor system

##### 3.1.1 Work to be done on site by customer

The cover system is not sealed against surface water; this means that the customer must provide for the drainage of the underfloor distributor system. The customer must therefore ensure that an appropriate drainage line or drainage system is installed.

without drainage/Drain pipe



with drainage bed (e.g. loose subsurface)



With drain pipe (e.g. solid subsurface)

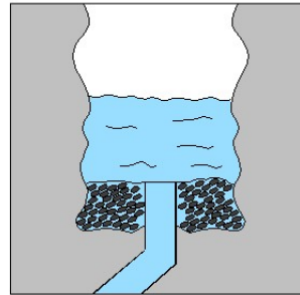


**i Hint**

Connecting a drain pipe is preferable to a natural drainage bed (soakaway). However, it must be ensured that the pipe is always open and drainage is guaranteed.

Check drainage capacity!

40L in 30 min.



The excavation work as well as the professional and standards-compliant installation must be performed by the customer. It is important to ensure that the load capacity of the foundation and/or the cover layer corresponds to the load capacity of the underfloor distributor system in order to prevent subsidence. Delivery of concrete pipe has to be done on site by the customer.

**⚠ Caution**

If the Underfloor distributor system is to be used immediately after the excavation work, the installation pit must absolutely be secured or locked so that it does not pose a safety risk!

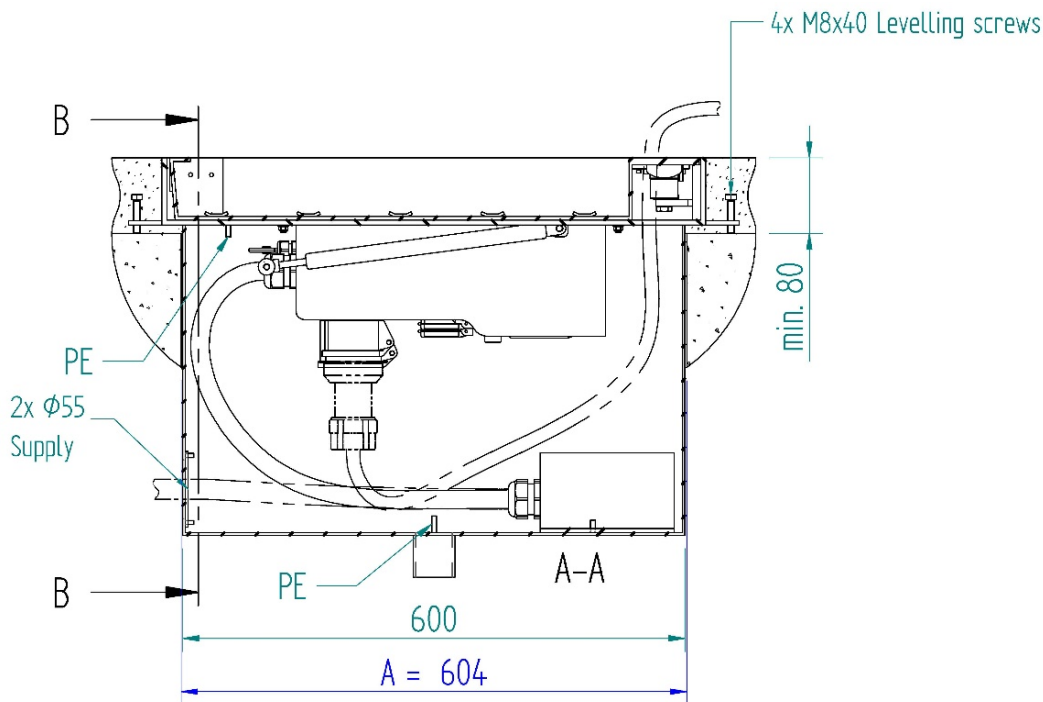
### 3.2 Connecting underfloor distributor to power supply

**⚠ Caution**

The electrical connection may only be made by trained personnel and is the responsibility of the operator.

#### 3.2.1 Principle drawing

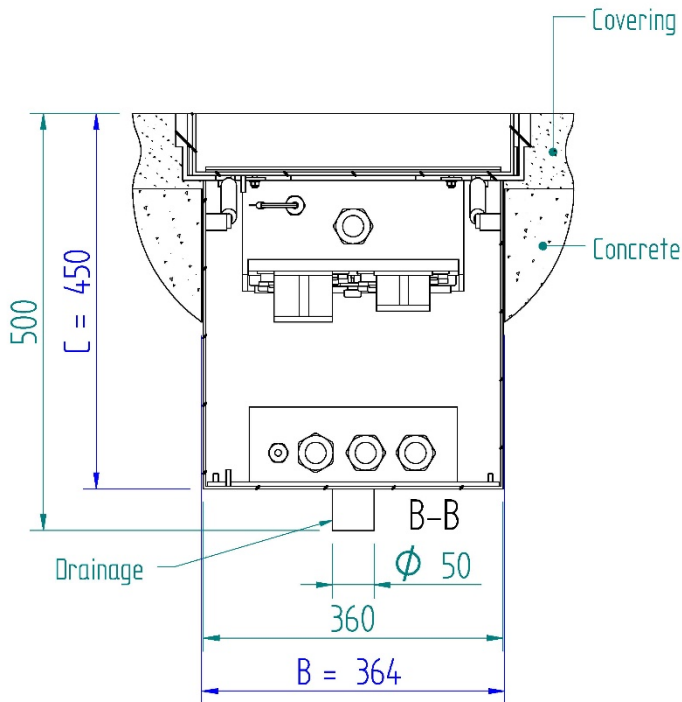
The details necessary for proper installation can be found on the project-specific drawing from GIFAS. Custom models may vary from the following drawings.



**📌 Hint**

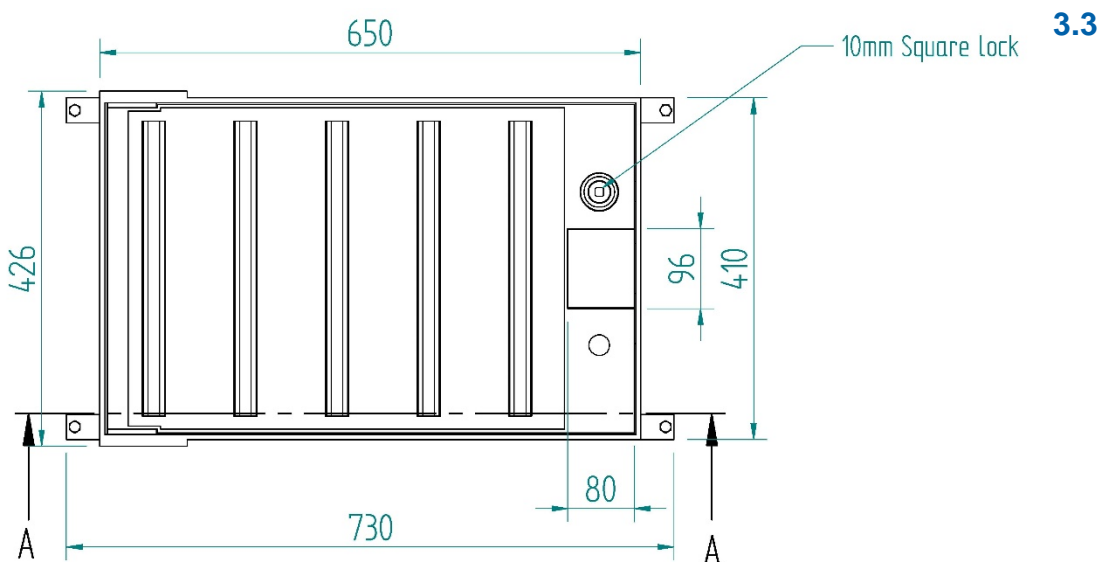
It is recommended that junction boxes at critical locations are filled with BLUE GEL.  
(Article 166534 [1] / Article 174063 [2] / Article 172210 [10])





**Hint**

The built-in dimensions "A x B x C" can be found in the project-specific drawing provided by GIFAS



The cover opens automatically through the use of gas springs. They support muscular force and allow for the controlled opening and closing of the cover.

### 3.4 Installation

**⚠ Hazard**

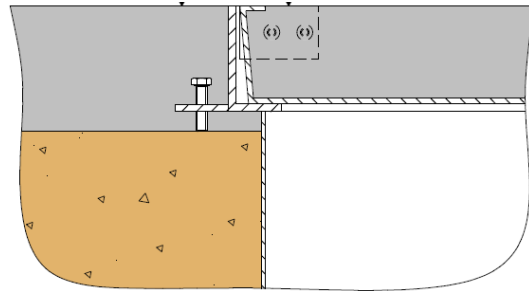
Do not overfill the cover!

The surroundings must not sink!

**ℹ Hint**

It is recommended that the metal of the fillable lid is pre-treated with primer (e.g. CTW) before filling. This improves the adhesion of the fill material to the metal.

Lid filling tolerance +0/-1mm.



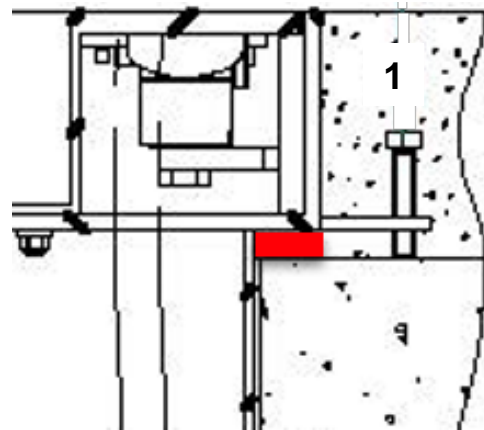
Have authorized personnel connect the electrical supply to the junction box and monitor the Campetto in accordance with the following inspection schedule.

**ℹ Hint**

If the cover layer (1) is not strong enough, and the Campetto was aligned with the levelling screws, the cavity between the concrete foundation (2) and the frame must be filled with concrete or an equivalent material.

The frame must rest on a solid underground.

The levelling screws and the bottom of the box have a no effect on the overall stability.



## 4 Maintenance

### 4.1 Inspection and maintenance schedule

Work to be done	Period
Monitor for damage	at each use
Cleaning of hinge, lock, and cover surface	before closing each time
Monitor surroundings for sinking	annually
Test functioning of the gas spring(s)	annually
Test functioning of the hinge and lock	annually
Lubricate hinge and lock	annually
Check bolts	annually
Clean the drainage	as needed / when dirty
Monitor the electrical distribution	according to country-specific regulations

#### **Caution**

Gas springs are wear parts and must be replaced immediately in case of pressure loss in order to ensure a safe and gradual closing of the cover.

### 4.2 Description of maintenance and inspection works

Lock system, lid hinge bar and gas springs need to be checked, cleaned and where necessary to be greased in appropriated intervals.

The lid surface needs to be cleaned from dirt in appropriate intervals, to ensure a safe and proper closing.

The underfloor distributor needs to be maintained and revised by professionally trained personnel, according to national regulations and standards.

## 5 Debugging

### 5.1 Measures for elimination of errors

Bug / error	Possible cause(s)	Solution
Cover can hardly be opened	Gas spring failure	Replace gas spring
Cover can hardly be opened	Dirty hinge or gas spring	Clean the hinge or gas spring
Cover closes too fast	Gas spring failure	Replace gas spring
Cover will not close	Cover surface dirty	Clean the cover surface
Cover will not close	Lock failure	Clean / change the lock
Cover jiggles	Hinge failure	Change the hinge
Earth leakage circuit breaker is triggering	Electrical fault	Repair by professionally-trained personnel

### 5.2 Storage

No additional measures are required for storage. With regard to packaging, pay attention to protection against damage.

### 5.3 Disposal of the device



This product must not be thrown in the garbage.

In accordance with official local and national regulations, this product is to be recycled appropriately.



European directive 2012/19/EU; waste electrical and electronic equipment (WEEE).

## 6 Service

### 6.1 Service addresses

GIFAS ELECTRIC GmbH Borsigstrasse 9  D-41469 Neuss	GIFAS-ELECTRIC S.r.l Via dei Filaracci 45 Piano del Quercione I-55054 Massarosa (LU)	GIFAS ELECTRIC GmbH Strass 2  A-5301 Eugendorf	GIFAS-ELECTRIC GmbH Dietrichstrasse 2 Postfach 275 CH-9424 Rheineck
☎ +49 2137 105-0 📠 +49 2137 105-230 🌐 www.gifas.de ✉ verkauf@gifas.de	☎ +39 58 497 82 11 📠 +39 58 493 99 24 🌐 www.gifas.it ✉ info@gifas.it	☎ +43 6225 7191-0 📠 +43 6225 7191-561 🌐 www.gifas.at ✉ verkauf@gifas.at	☎ +41 71 886 44 44 📠 +41 71 886 44 49 🌐 www.gifas.ch ✉ info@gifas.ch

### 6.2 Imprint

GIFAS-ELECTRIC GmbH  
CH-9424 Rheineck  
www.gifas.ch

Technical changes and errors reserved.

These installation instructions are the property of GIFAS-ELECTRIC GmbH and may not be copied, translated, transferred, duplicated or passed on to third parties without the previous written consent of GIFAS-ELECTRIC.