



Spring-driven cable reels type 526

Quality features

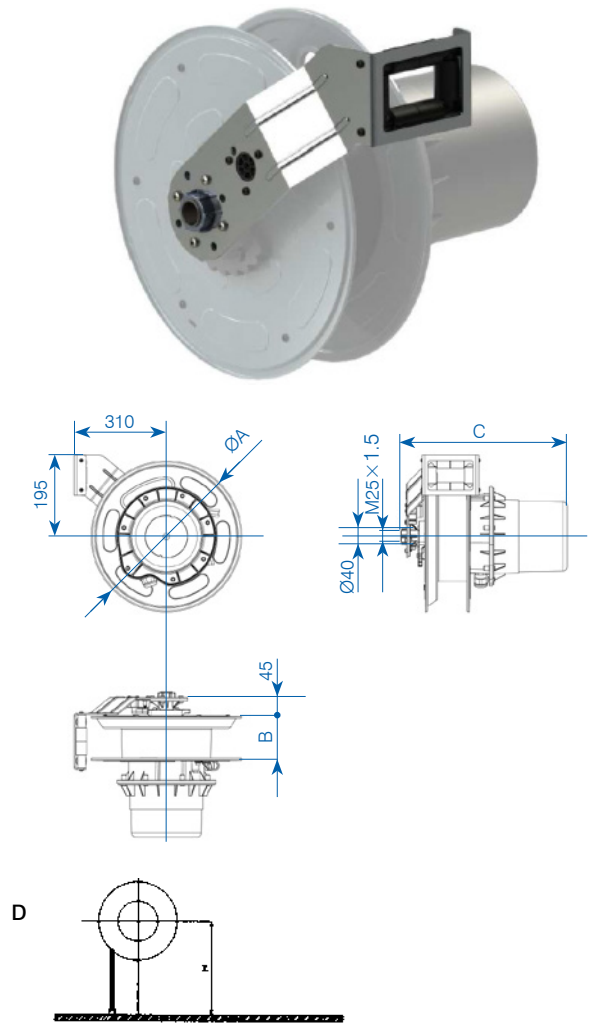
- Fully assembled and preset spring-driven cable reel (holder not included, must be ordered separately).
- Robust, open design, suitable for industrial use, in aluminium/ steel, epoxy-coated, cable inlet of aluminium
- Direct fitting on to the wall or with special swivel holder
- With special spring drive unit, spring made from special steel with high resistance capacity
- Cable inlet using reels
- Collectors with 20, 50 and 100A
- Cut lengths up to max. 20m
- Slip ring 1- to 12-pole possible
- Max. operating voltage 400V
- Protection rating IP65
- Tested to EN 61242, EN 61316
- Strands colour from 8-pole version: black
- Cable H05 VV-F black

Hint

Notes on installation

The cable lengths given relate to installation type D. The effective useable cable lengths depend on the relevant installation type.

The spring-driven cable reels are supplied with continuous retraction setting ex works. Please inform while ordering if the lock device should be changed.



With reel fitted on the top.
Reduced number of meter
due to the weight off he cable.

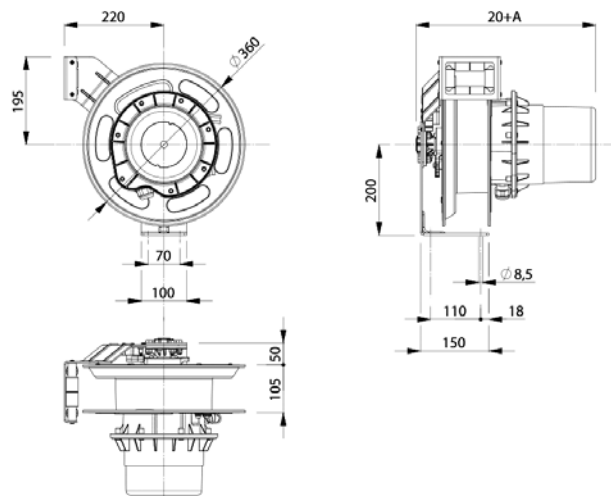
Item no.	No. of poles	Cross-section	Cable length, rolled up	Performance, rolled up	Thermal protection	Max load on slip ring	Dimension specifications (diagram below)		
							A	B	C
146613	1	16.0mm ²	20 + 2			50A	360mm	105mm	350mm
✓ 146614	3	2.5mm ²	20 + 2	2'000W	3'500W	20A	360mm	105mm	350mm
146616	5	1.5mm ²	18 + 2	4'000W	6'000W	20A	360mm	105mm	350mm
✓ 146617	5	2.5mm ²	15 + 2	7'000W	10'000W	50A	360mm	105mm	350mm
✓ 140217	5	4.0mm ²	8 + 2	11'000W	15'000W	50A	360mm	105mm	350mm
146618	8	1.5mm ²	15 + 2			20A	360mm	105mm	350mm
146619	12	1.5mm ²	12 + 2			20A	360mm	105mm	400mm

✓ Available from stock and in our online shop ! www.gifas.ch

Holders

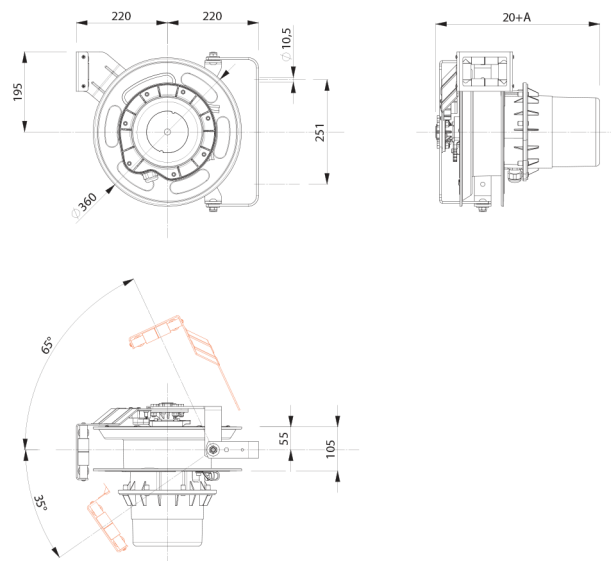
Item no.	Description
137845	Wall/ceiling/floor holder for fixed-mounting for type 526
139016	Wall holder, swivel design, for type 526

Fixed wall bracked



Item no. 137845

Swivel wall bracket



Item no. 139016