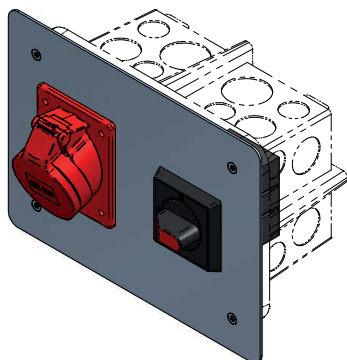
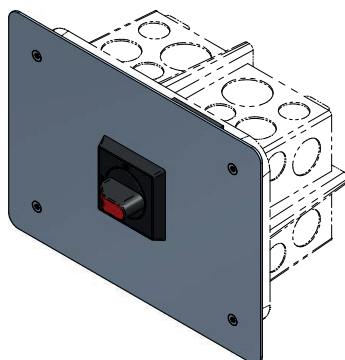




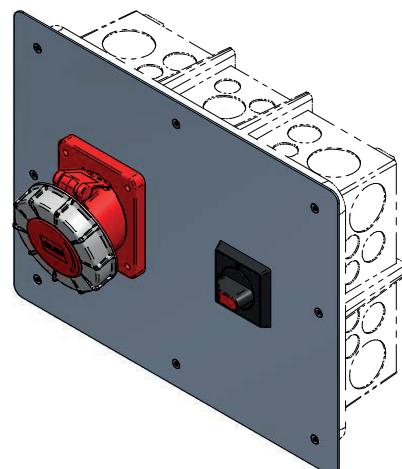
Front panels for AGRO Prefix flush-mounted wall boxes



Item no. 257195



Item no. 257196



Item no. 255538

CEE 16A /32A with main switch

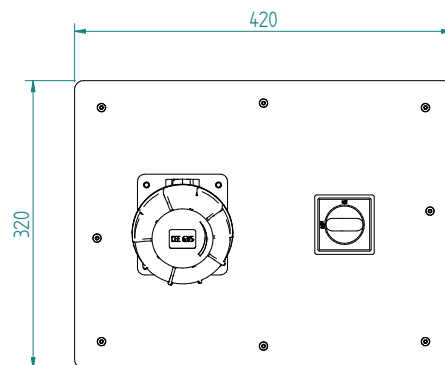
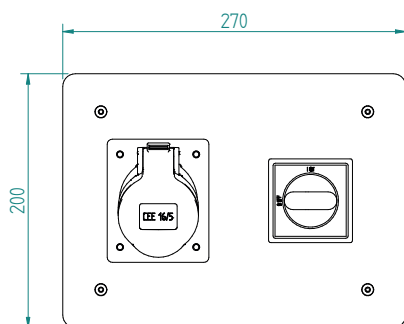
- V2A front plate suitable for flush-mounted junction box AGRO Prefix item no. 9916, without seal (provided on-site)
- equipped with CEE 16/5 or CEE 32/5 socket outlet with angled outlet and lockable main switch
- Variant without socket (only main switch)
- internally wired
- Protection category with socket IP44, without socket IP54
- according to norm EN 61439

CEE 63A with main switch

- V2A front plate suitable for flush-mounted junction box AGRO Prefix item no. 9917, without seal (provided on-site)
- equipped with CEE 63/5 socket outlet with angled outlet and lockable main switch
- Variant without socket (only main switch)
- internally wired
- Protection category IP54
- according to norm EN 61439

Item no.	Designation
257195	V2A plate 270×200×2mm equipped with 1×CEE16/5 and main switch
257196	V2A plate 270×200×2mm equipped with 1×main switch 16A (without socket)
255537	V2A plate 270×200×2mm equipped with 1×CEE32/5 and main switch
255539	V2A plate 270×200×2mm equipped with 1×main switch 32A (without socket)
254914	Flush-mounted junction box AGRO 9916 Prefix 250×180×120 mm

Item no.	Designation
255538	V2A plate 420×320×2mm equipped with 1×CEE63/5 and main switch
257198	V2A plate 270×200×2mm equipped with 1×main switch 63A (without socket)
254915	Flush-mounted junction box AGRO 9917 Prefix 400×300×220 mm



✓ from stock, offer subject to prior sale