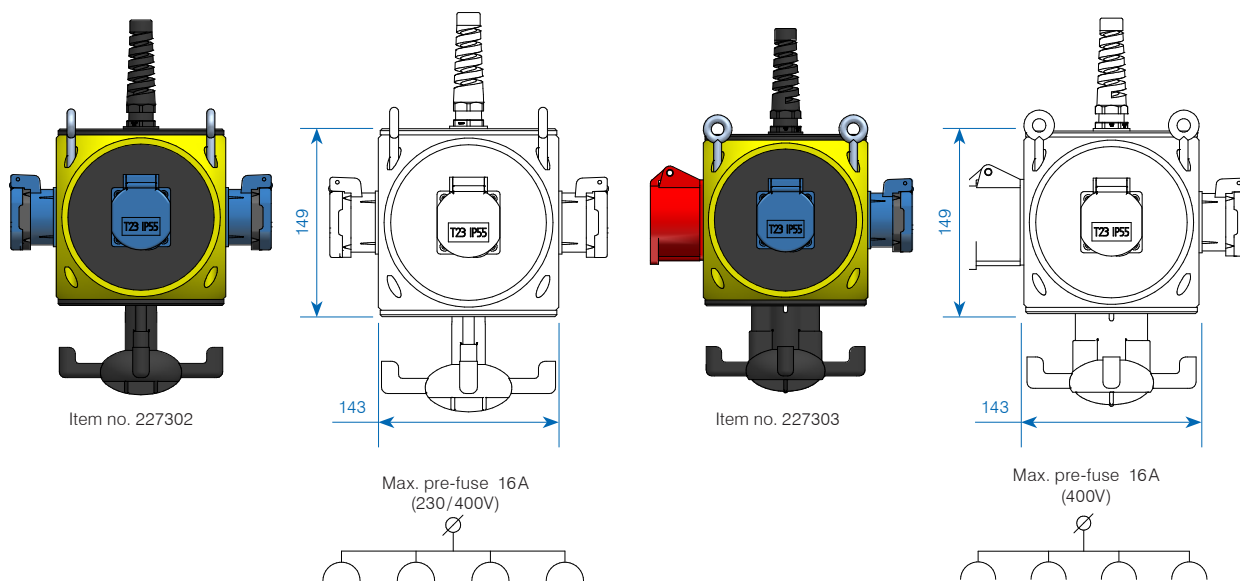




Suspended distributor, plastic



Energy can be supplied in the air, means suspended over more the workplace easily and efficiently today!
The robust, compact distributor made of shock-resistant polyamide plastic is easy to use and customised for the desired application.

Technical Data

Protection class: IP44 (splashproof)
Housing: Shock-resistant polyamide plastic distributor
Dimension: 143×149×220 mm
Rated current: max. 32A 5P 400V

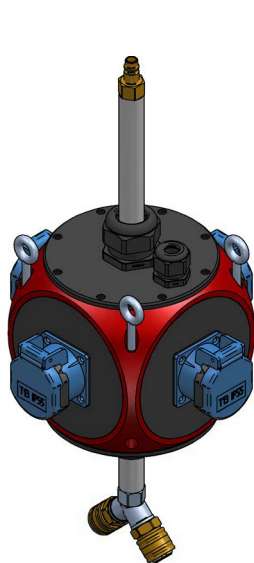
Features

- compact design: modular concept, allows for a multitude of variants and forms
- can be used as a suspended or portable distributor
- max. 6 mounting surfaces
- combination possibilities: 16A 3P to 32A 5P CEE sockets, with a variety of other sockets, fused or non-fused, with integrated air supply etc.
- inputs: Cable glands and wiring at the connecting terminals on the cover plate (also for several power circuits), CEE device plug, device lines

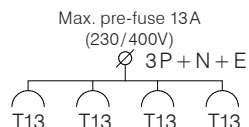
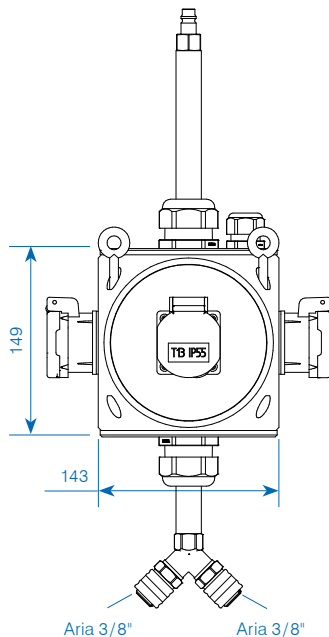
Item no.	Symbol output	Output	Input	MCB/RCD	Description
✓ 227302		4×T23 excl. suspension kit	1×M20	max. pre-fuse 16A	yellow housing
✓ 227303		3×T23 1×CEE 16/5 excl. suspension kit	1×M20	max. pre-fuse 16A	yellow housing
✓ 043014	Link chain V4A, rust-free, Ø3/26mm				
✓ 043015	Link chain V4A, rust-free, with screw connection L = 32mm (inner), Ø4mm				
✓ 167265	Suspension kit steel zinc-plated (L=300mm)				

✓ from stock, offer subject to prior sale

Suspended distributor, plastic with compressed air



Item no. 227304



Different applications require different products – although they are principally used in conjunction with laboratory and medical technology, AIR-type solid plastic suspended distributors are suitable for application in other areas too!

Technical Data

Protection class: IP44 (splashproof)
 Housing: Shock-resistant polyamide plastic distributor
 Dimension: 143×149×220 mm
 Rated current: max. 32A 5P 400V

Features

- compact design:
- modular concept, allows for a multitude of variants and forms
- can be used as a suspended or portable distributor
- max. 6 mounting surfaces
- combination possibilities:
 16A 3P to 32A 5P CEE sockets, with a variety of other sockets, fused or non-fused, with integrated air supply etc.
- inputs: Cable glands and wiring at the connecting terminals on the cover plate (also for several power circuits), CEE device plug, device lines

Item no.	Symbol output	Output	Input	MCB/RCD	Description
✓ 227304		4×T13 2×compressed air 3/8" excl. suspension kit	1×M20 1×compressed air 3/8"	max. pre-fuse 13A	red housing
✓ 043014		Link chain V4A, rust-free, Ø3/26mm			
✓ 043015		Link chain V4A, rust-free, with screw connection L = 32mm (inner), Ø4mm			
✓ 167265		Suspension kit steel zinc-plated (L=300mm)			

✓ Available from stock and in our online shop! www.gifas.ch

✓ from stock, offer subject to prior sale