



Surface-mounted MarkLED and MarkLED EXIT adapter

Adapter made off synthetic compound



Product features

- Surface mounted adapter made off plastic, white RAL9003
- material: glass fiber reinforced polyamide (40%)
- for easy installation of the LED modules MarkLED 4 and MarkLED EXIT
- suitable for tunnel shoulder or wall mounting
- for road and rail tunnel use
- individual accessories available
- protection category IP68 and IP69 (depending on the type of installation)
- special terminals integrated in the base for easy connection
- clamping and connection via the ground, no cable connections in the cable groove (moisture, water)

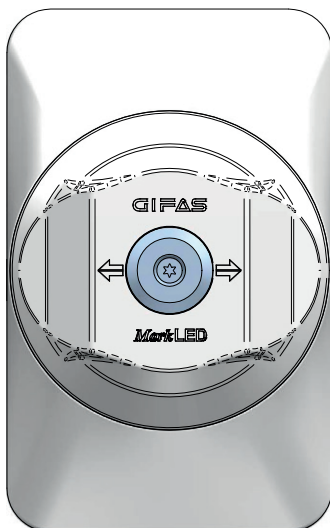


Illustration: MarkLED

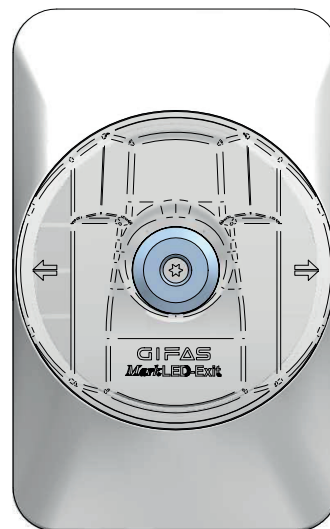


Illustration: MarkLED EXIT

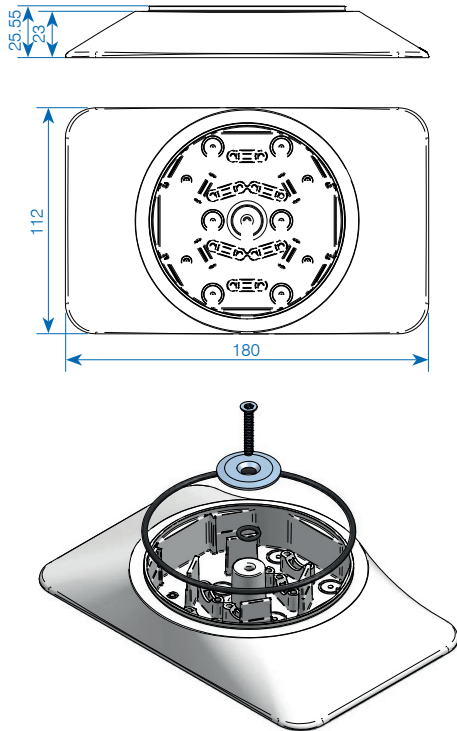
Assortiment

✓ 860724	Surface mounted MarkLED adapter, PA6 BK40 white incl. accessoires (VE=5 piece) without cable gland
✓ 860725	Surface mounted MarkLED adapter, PA6 BK40 white incl. accessoires (VE=5 piece), 1×cable gland M16×1.5
✓ 860726	Surface mounted MarkLED adapter, PA6 BK40 white incl. accessoires (VE=5 piece), 2×cable gland M16×1.5
✓ 860890	Surface mounted MarkLED EXIT adapter, PA6 BK40 white incl. accessoires (VE=5 piece) without cable gland
860891	Surface mounted MarkLED EXIT adapter, PA6 BK40 white incl. accessoires (VE=5 piece), 1×cable gland M16×1.5
860892	Surface mounted MarkLED EXIT adapter, PA6 BK40 white incl. accessoires (VE=5 piece), 2×cable gland M16×1.5
✓ 208653	Guard plate V4A for AP adapter MarkLED

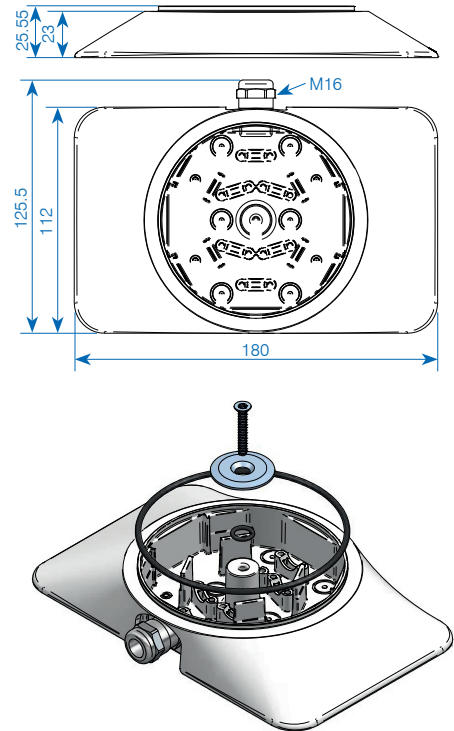
✓ from stock, offer subject to prior sale

1/3

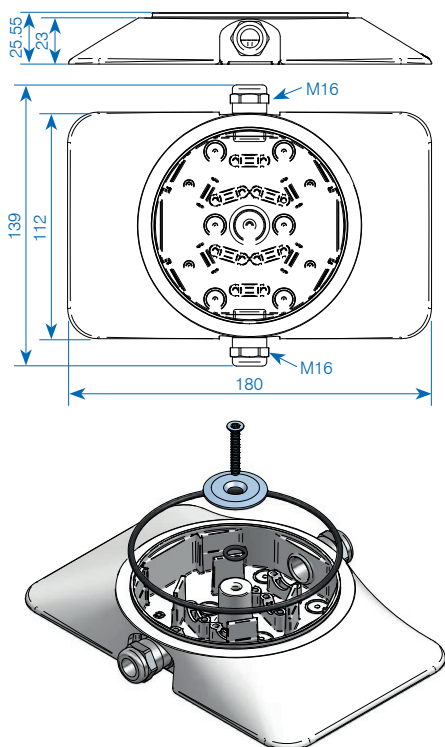
Item no. 860724 and 860890



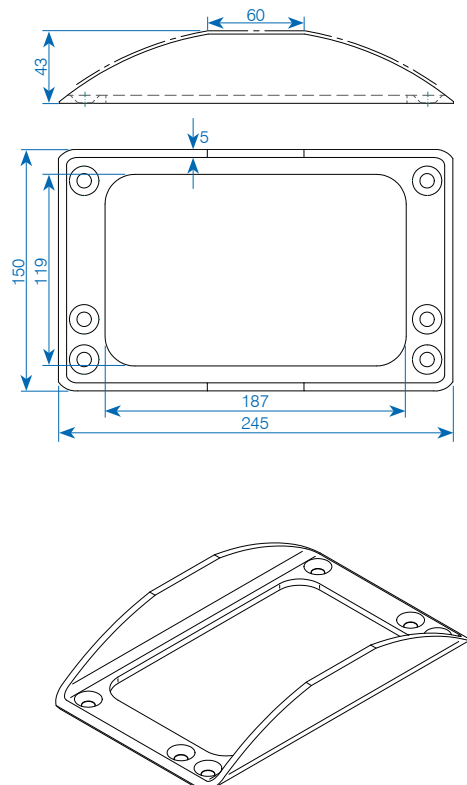
Item no. 860725 and 860891



Item no. 860726 and 860892

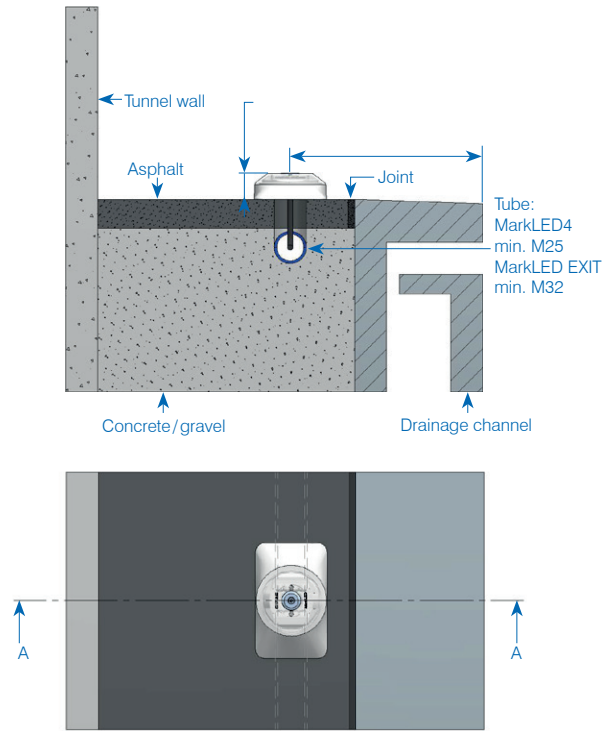


Item no. 208653

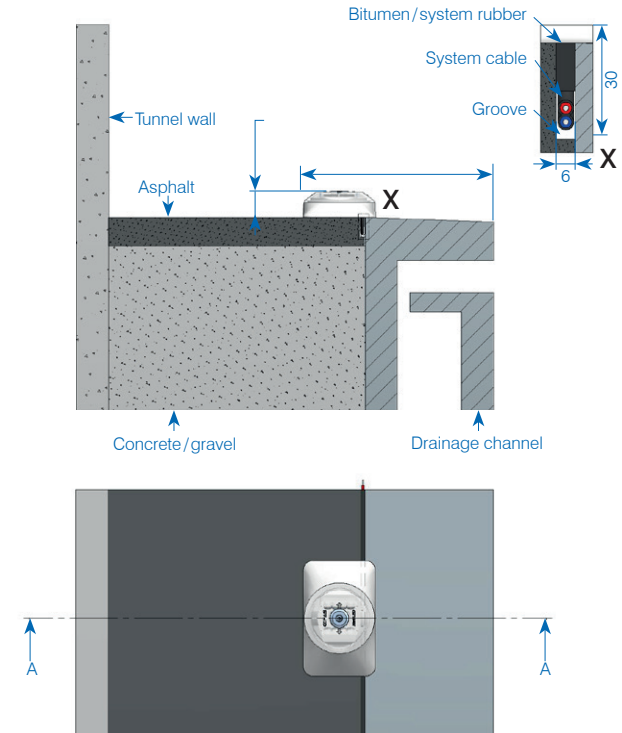


Installation options

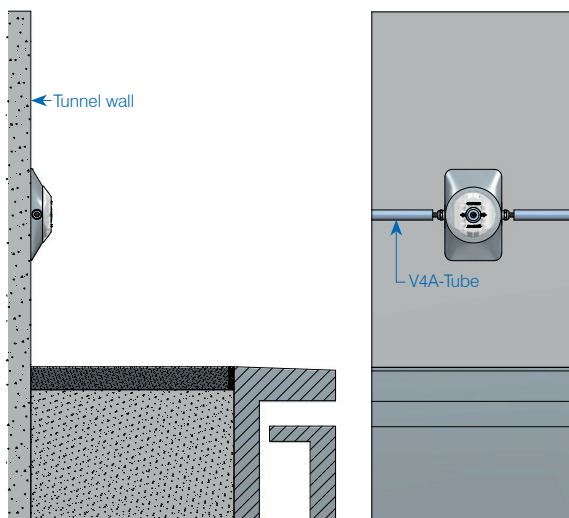
Mounting: tunnel shoulder with installation conduit



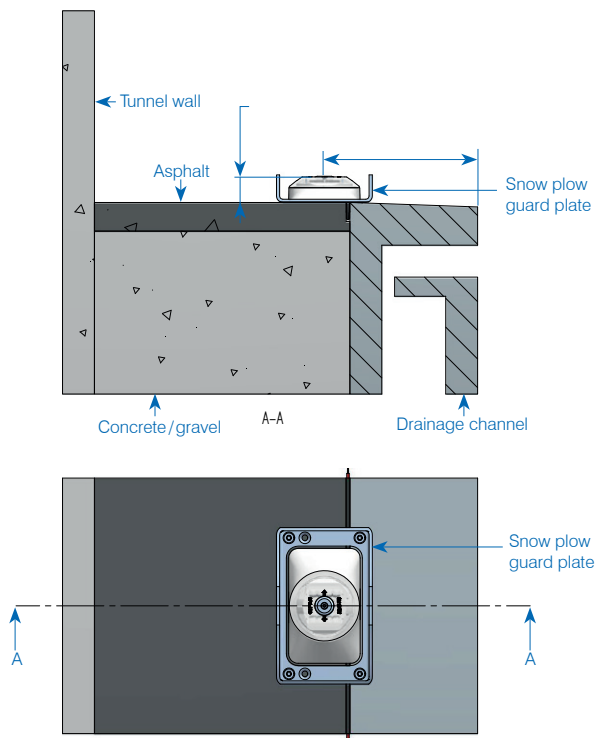
Mounting: tunnel shoulder with cable / groove



Mounting at the tunnel wall



Option with snow plow guard plate



✓ from stock, offer subject to prior sale

3/3